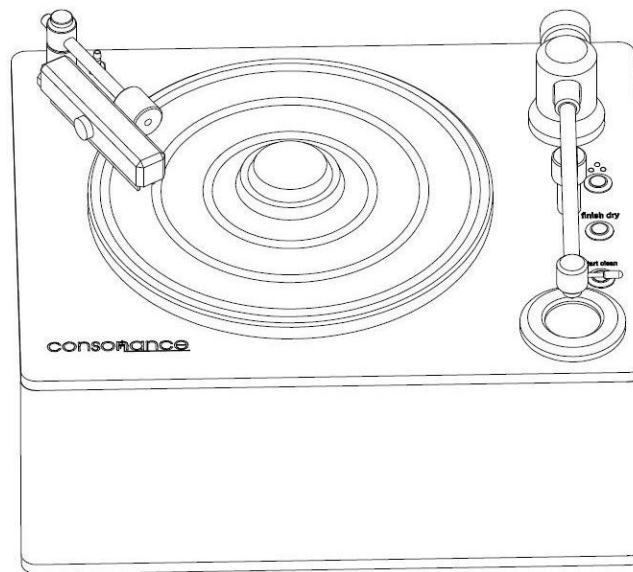


RCM-C Vinyl Cleaner



Thank you very much for using the RCM-C cotton thread vinyl record cleaner. This machine adopts efficient wire cleaning technology, which uses special cotton thread to reverse the groove of the vinyl record line by line. The cleaning wire is disposable and then used to drain the dirty water on the surface of the record with a special adjustable negative air pressure pump.

Please check the boxing accessories after unpacking and read this manual carefully before use. If you have any questions, please contact local official dealers.

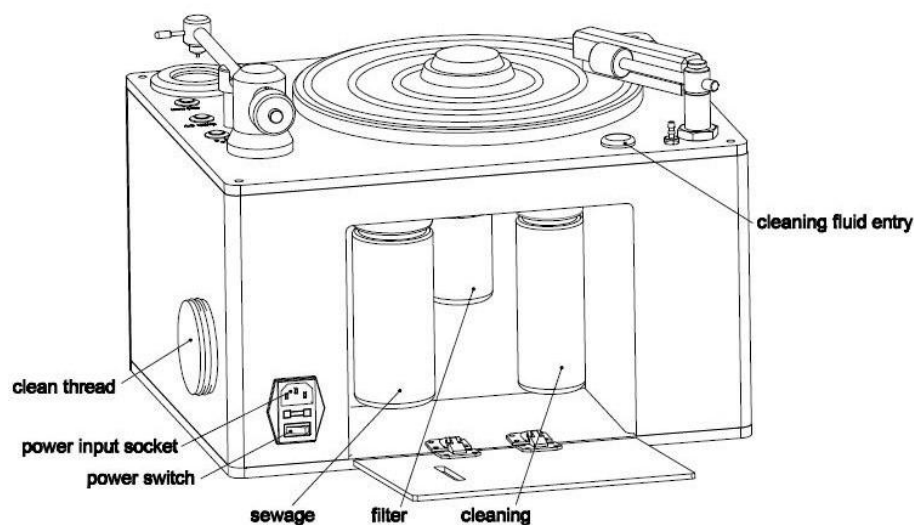
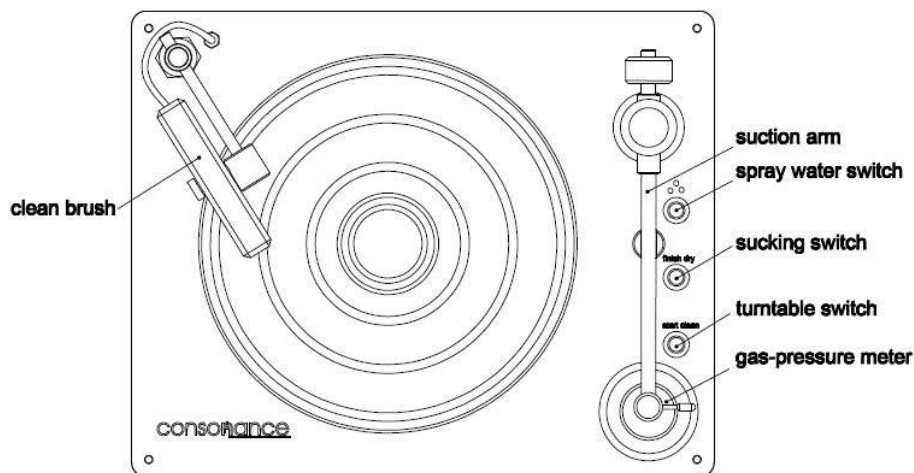
Part List:

Vinyl cleaner
RCM-C Vinyl Disc clamp
Power cable
User manual

Operation conditions:

Since the vent is located at the bottom of the machine, to prevent clogging, place it on a dry, ventilated table. The cleaning water may drip during the cleaning process and the table top should be waterproof. Before powering on, please confirm whether the voltage is in compliance with the machine and the power switch is off.

Be sure to read the instruction manual carefully before use and follow the steps to install it. Make sure the machine matches the local voltage before powering up. If there is any discrepancy, please contact the dealer in time.



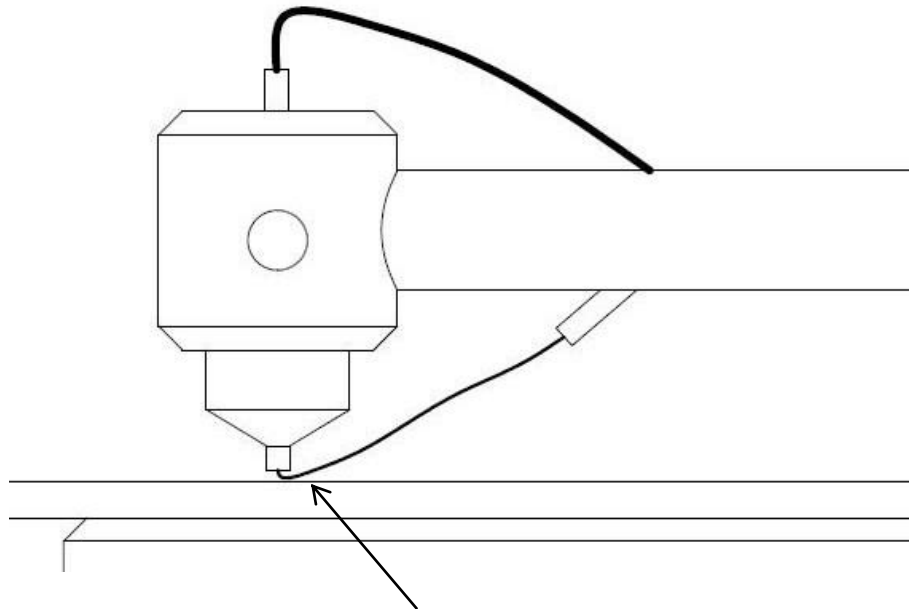
Open the small lid of the cleaning solution inlet and load the disc cleaning solution.

Note: Do not exceed 100ml each time and use up within ten days, otherwise the cleaning solution may deteriorate.

If it is not used for a long time, rotate the rear plate handle, open the rear plate, unscrew the cleaning liquid bottle counterclockwise, and pour off the cleaning liquid.

Instructions for use:

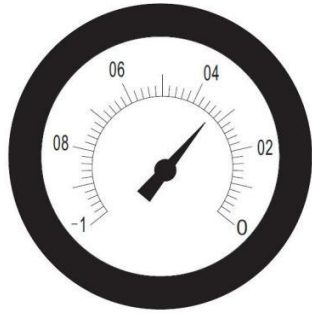
1. Lift up the clean brush to the left, put the record and press the vinyl disc clamp.
2. Turn on the turntable switch.
3. Lift the cleaning brush and turn it counterclockwise to the top of the record.
4. Click on the water spray switch. After spraying the water multiple times, gently slide down the cleaning brush to wash the record.
5. Lift and turn the brush clockwise, lift the suction arm, rotate the suction head to the center of the turntable, and then move it to the edge of the record label. Open the water suction switch.
6. When the suction head reaches the edge of the disc, lift the suction arm to the home position and turn off the suction switch and the turntable switch.



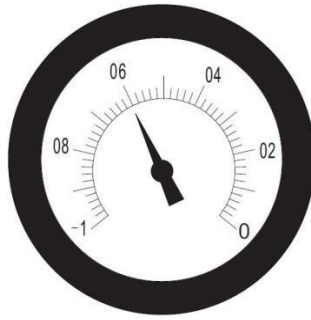
Note: *Pull the thread manually after clean a few of records.*

Precautions:

When working, please check whether the drainage and water absorption pressure are normal, and allow the deviation to be two small squares.



pic1



pic2

When the suction arm is not placed on the record, open the water suction switch. The pointer of the barometer points to $-0.02 \sim -0.04$. If the barometer is less than 0.02 , the sewage bottle may not be tightened. (pic1)

When the suction arm is placed on the record to start working, the pointer of the barometer points in the range of $-0.05 \sim -0.07$. If the barometer is larger than -0.07 , the suction hole may be blocked. Lift the suction arm and then lower it to solve. (pic2)

Note: The air pressure will increase when the suction head reaches the edge of the record. Adjusting the front and rear position of the weight of the suction arm can finely adjust the water pressure.

2. Check the water in the sewage bottle regularly. If it exceeds half a bottle, pour it off and cut off the cleaning line. Install the bottle. Please gently align the cover and tighten it counterclockwise. unplug the power cable.
3. The sewage bottle needs to be squared and carefully rotated to the marked position, otherwise it will leak.
4. There is a clean water drop when cleaning the disc, and a special plastic tray can be purchased to prevent clean water from flowing into the surface of the main unit.

Specifications :

Use voltage: 220~230V 50Hz

Rated power: 300W

Dimension: 400x320x330mm (WxDxH)

WARRANTY

Opera audio guarantees each product manufactured by us to be free from defects in materials and workmanship under normal use. Our obligation under this warranty is limited to making good at our factory any part or parts thereof which shall, within 1 year after delivery to the original purchaser, be returned to us with transportation charges prepaid, and which an examination shall disclose to have been thus defective; this warranty being expressly in lieu of all other warranties expressed or implied and of all other obligations or liabilities on our part. This warranty shall not apply to any Opera audio product which shall have been repaired or altered outside of our factory in any way so as to affect its stability, nor which has been subject to misuse, negligence or accident. Warranties of the vacuum tubes are by the respective manufacturers, usually 90 days.

Please mail or e-mail the Registration Card to the address as follows:

The Opera Audio Co., Ltd.

No.2 JiuXianQiao Road

ChaoYang District

Beijing, China

Tel: 86 10 59789461

Fax: 86 10 59789265

support@opera-consonance.com

www.opera-consonance.com



Registration Card

Name
Address
City
State
Zip
Email
Telephone
Model
Serial Number
Purchase Date
Dealer